

4

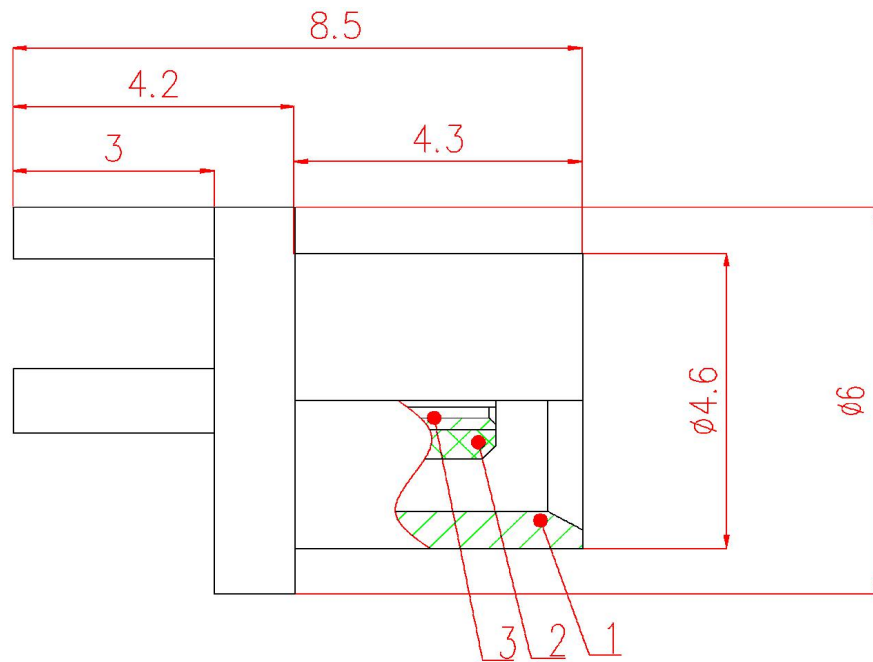
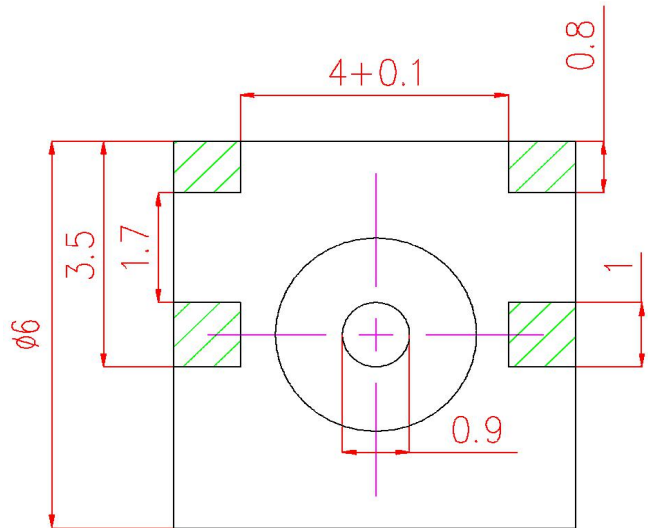
3

2

1

THIS DRAWING UNPUBLISHED.	RELEASED FOR PUBUCATION
---------------------------	-------------------------

LOC	DIST	REVISIONS					
---	---	P	LTR		DATE	DWN	APVD
			---	---	---	---	---



- NOTES:
- ELECTRICAL:
 - IMPEDANCE: 50Ω
 - INSULATION RESISTANCE: 5000M Ω
 - FREQUENCY RANGE: DC-6 GHz
 - DIELECTRIC WITHSTANDING VOLTAGE: 750V MAX AT SEA LEVEL
 - VSWR: ≤1.20:1
 - INSERTION LOSS: 0.25dB (MAX)

MODEL	1	2	3	/
XQY-MCXKEP-TB DEFLECTION	BRASS	BERYLLIUM BRONZE	PTFE	/
	GOLD PLATING	GOLD PLATING	/	/
Accept custom sizes and styles				

- ENVIRONMENTAL:
 - TEMPERATURE RANGE: -55° to +125°
- MATERIAL AND FINISH:
 - INNER CONDUCTOR MATERIAL: BERYLLIUM BRONZE GOLD PLATING
 - INSULATOR: PTFE
 - EXTERNAL CONDUCTOR MATERIAL: BRASS GOLD PLATING

THIS DRAWING IS A CONTROLLED DOCUMENT		21/10/2021	 Shenzhen xinqiyuan Technology Co., Ltd.	
		CHK		
DIMENSIONSMM		TOLERANCES UNLESS OTHERWISE SPECIFIED: ±0.1	NAME MCX Female RF Coaxial Connector Printed circuit board	
 Note: Dimensions (mm / [inch])		APVD	SIZE A4 CAGE CODE 01021 DRAWING NO XQY-MCXKEP-TB	
		APPLICATION SPEC		
		WEIGHT		

4

3

2

1