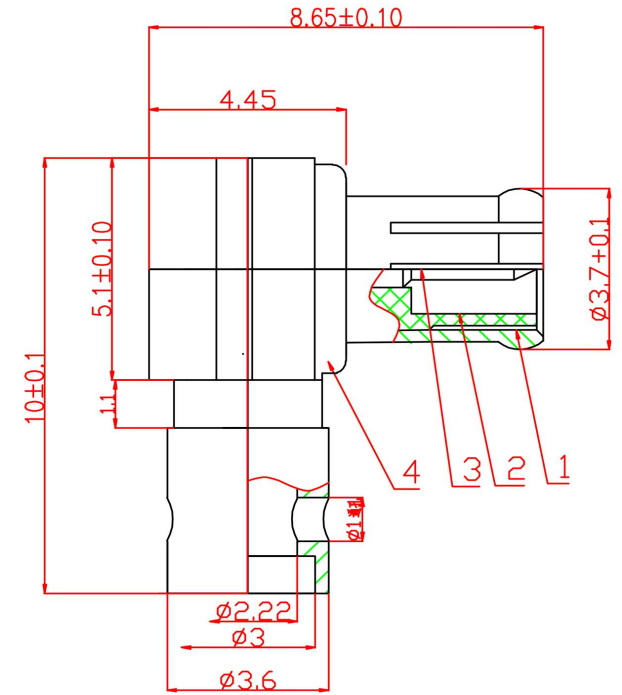
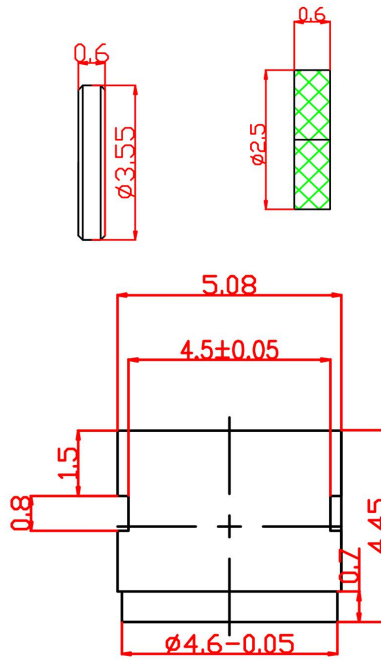
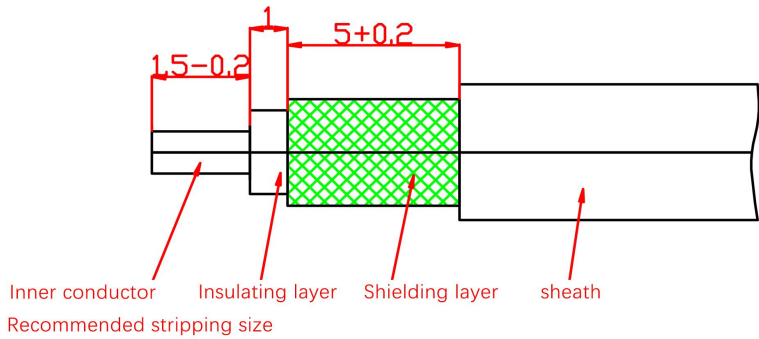


THIS DRAWING UNPUBLISHED. RELEASED FOR PUBUCATION

LOC	DIST	REVISIONS				
---	---	P	LTR	DATE	DWN	APVD
---	---	---	---	---	---	---



- NOTES:
- 1.ELECTRICAL:
 - 1.1 IMPEDANCE: 50Ω
 - 1.2 INSULATION RESISTANCE:5000M Ω
 - 1.3 FREQUENCY RANGE: DC-6 GHz
 - 1.4 DIELECTRIC WITHSTANDING VOLTAGE: 750V MAX AT SEA LEVEL
 - 1.5 VSWR: ≤1.20:1
 - 1.6 INSERTION LOSS: 0.25dB (MAX)
 - 2.ENVIRONMENTAL:
 - 2.1 TEMPERATURE RANGE: -55° to +125°
 - 3.MATERIAL AND FINISH:
 - 3.1 INNER CONDUCTOR MATERIAL: BERYLLIUM BRONZE GOLD PLATING
 - 3.2 INSULATOR: PTFE
 - 3.3 EXTERNAL CONDUCTOR MATERIAL: BRASS GOLD PLATING

1	2	3	4	5
BERYLLIUM BRONZE	PTFE	BRASS	BRASS	BRASS
GOLD PLATING	/	GOLD PLATING	GOLD PLATING	GOLD PLATING
Accept custom sizes and styles				

THIS DRAWING IS A CONTROLLED DOCUMENT		21/10/2021	Shenzhen xinqiyuan Technology Co., Ltd.	
		CHK		
DIMENSIONSMM		TOLERANCES UNLESS OTHERWISE SPECIFIED: ±0.1	APVD	NAME MCX Male RF Coaxial Connector Cable Connector
		Note: Dimensions (mm / [inch])	APPLICATION SPEC	
		WEIGHT	---	SIZE A4
				CAGE CODE 01021
				DRAWING NO XQY-MCXJWB2-TB