

4

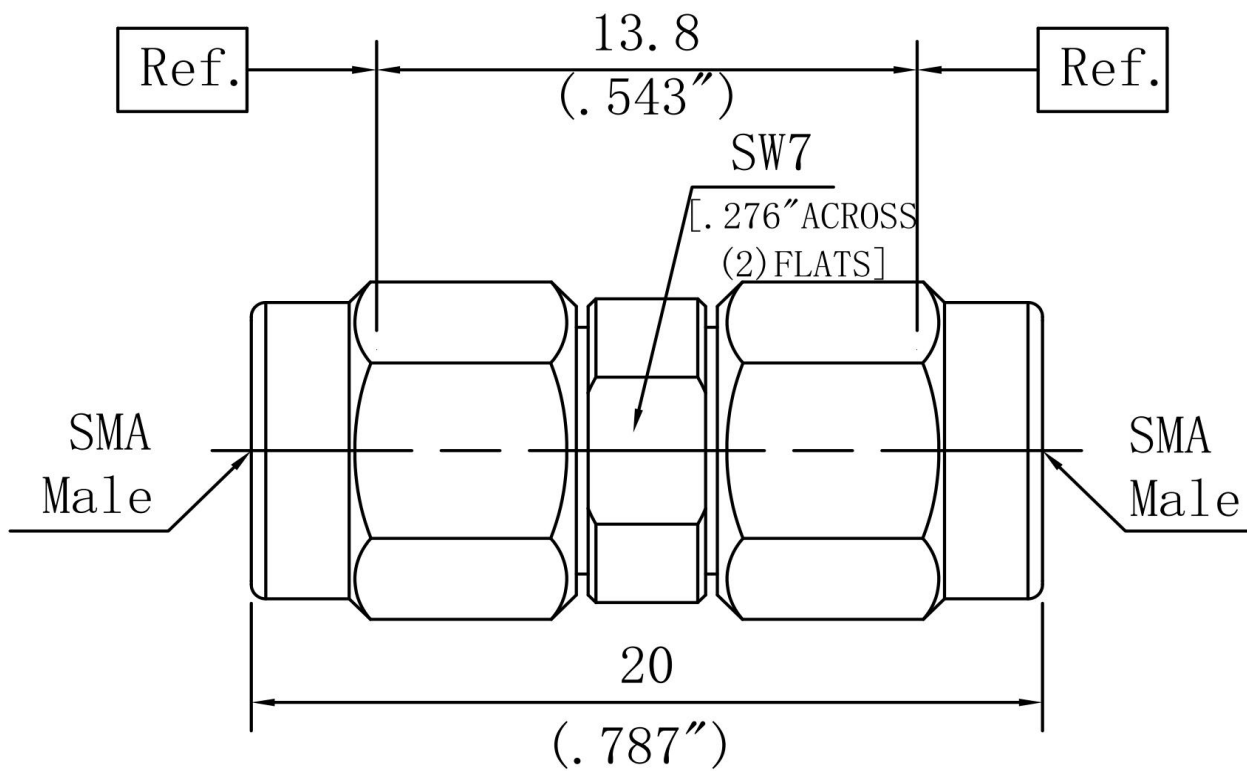
3

2


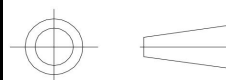
1

THIS DRAWING UNPUBLISHED.	RELEASED FOR PUBUCATION
---------------------------	-------------------------

LOC	DIST	REVISIONS					
---	---	P	LTR		DATE	DWN	APVD
			---	---	---	---	---



- NOTES:
- ELECTRICAL:
 - IMPEDANCE: 50Ω
 - INSULATION RESISTANCE: 5000M Ω
 - FREQUENCY RANGE: DC-27 GHz
 - DIELECTRIC WITHSTANDING VOLTAGE: 1000V MAX AT SEA LEVEL
 - VSWR: ≤1.15:1 (MAX)
 - INSERTION LOSS: 0.21 dB (MAX)
 - ENVIRONMENTAL:
 - TEMPERATURE RANGE: -55° to +165°
 - MATERIAL AND FINISH:
 - INNER CONDUCTOR MATERIAL: BERYLLIUM BRONZE GOLD PLATING
 - EXTERNAL CONDUCTOR MATERIAL: STAINLESS STEEL PASSIVATION
 - INSULATOR: PEI

THIS DRAWING IS A CONTROLLED DOCUMENT		21/10/2021	 Shenzhen xinqiyuan Technology Co., Ltd.			
DIMENSIONSMM		TOLERANCES UNLESS OTHERWISE SPECIFIED:	NAME			
		0 PLC ±0.25 1 PLC ±0.15 2 PLC ±0.12 ANGLES ±1°	APVD	SMA Male TO SMA Male RF Coaxial Adapter		
MATERIAL SEE TABLE		FINISH SEE TABLE	APPLICATION SPEC	SIZE A4	CAGE CODE 01021	DRAWING NO SMA/SMA-JJM
CUSTOMER DRAWING			SCALE 2:1	SHEET 1	OF 1	RVE 1

4

3

2

1